



## CTTC 600 MK3 Series

### SPECIFICATIONS

#### Cook Tank / Tumble Chiller - Electric heated

MODEL	Product Capacity Chilling	Product Capacity Cooking	Power supply	Steam requirement	Cooling requirement	Cold water	Hot water	Drainage
CTTC 600 MK3E Electric heated	600kg	450Kg	3E+N, 415V, 85kW	Not applicable on electrical heated model	68kW, Propylene Glycol @ -2° C 2x32mm connections	20mm	20mm	40mm

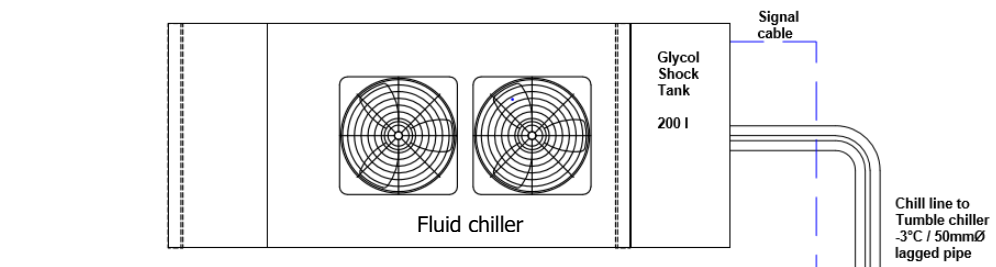
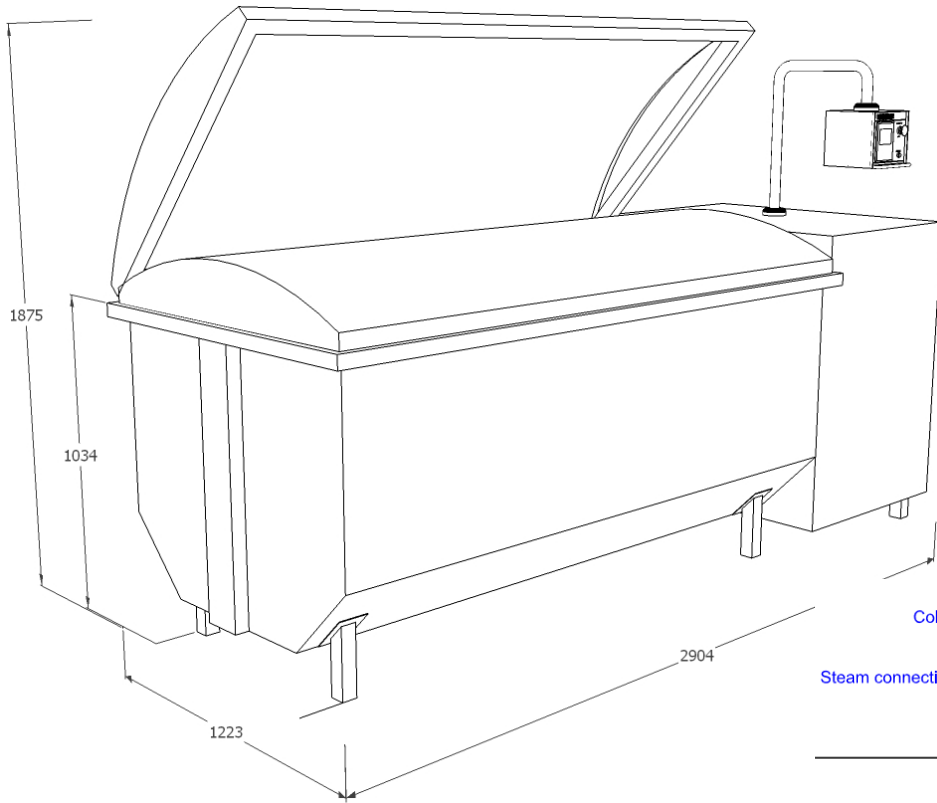
#### Cook Tank / Tumble Chiller - Steam heated

MODEL	Product Capacity Chilling	Product Capacity Cooking	Power supply	Steam requirement	Cooling requirement	Cold water	Hot water	Drainage
CTTC 600 MK3S Steam heated	600kg	450Kg	3E+N, 415V, 15A	Steam - 250 kg/hr @ 3bar 20mm	68kW, Propylene Glycol @ -2° C 2x32mm connections	20mm	20mm (optional)	40mm

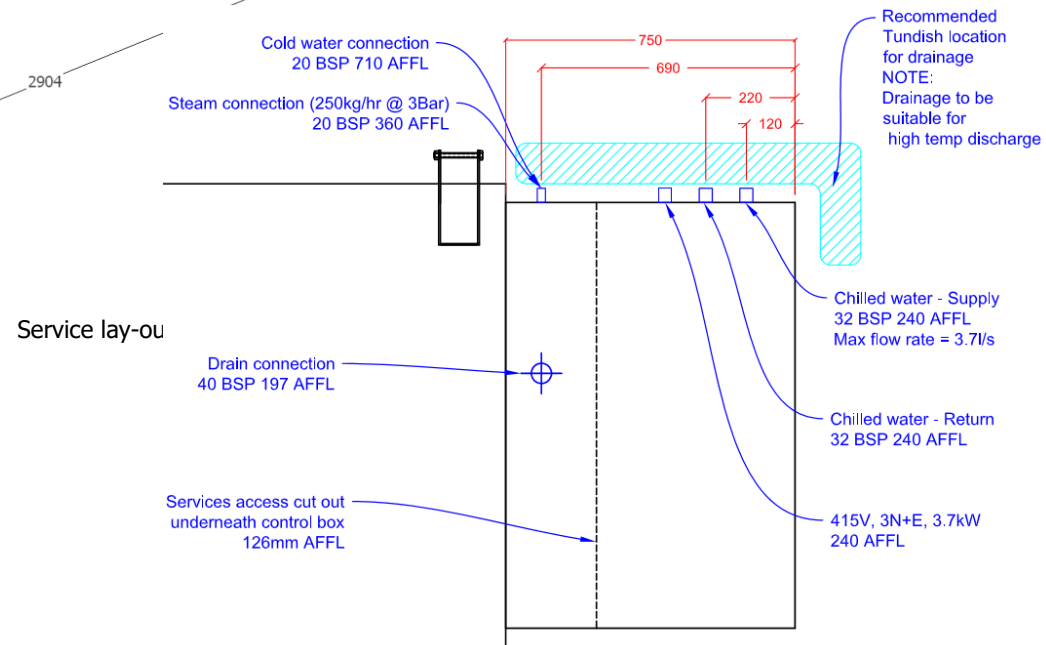
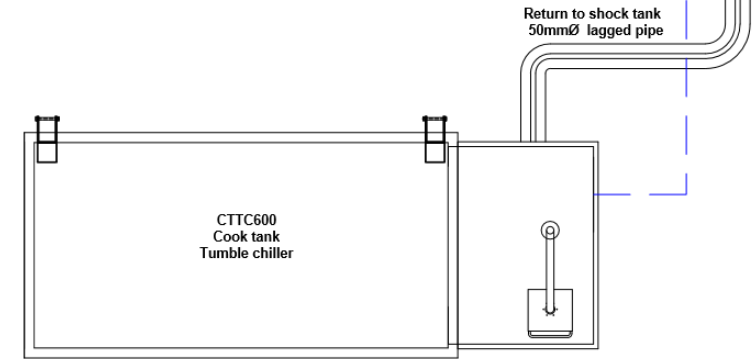
#### Tumble Chiller MK3

MODEL	Product Capacity Chilling	Product Capacity Cooking	Power supply	Steam requirement	Cooling requirement	Cold water	Hot water	Drainage
TC 600 MK3 Tumble chiller only	600kg	N/A	3E+N, 415V, 3.7kW	Not applicable on chilling only model	68kW, Propylene Glycol @ -2° C 2x32mm connections	20mm	20mm Optional (for cleaning program)	40mm

NOTE: For all units external chilled water supply required (fluid chiller sold separately)



Example layout of CTTC 600 connected to an Air-Cooled Fluid chiller



NOTE:  
Multicore control cable also required to be run to fluid chiller

131 Alexander Street  
Crows Nest NSW 2065  
Ph +61 2 9966 9500